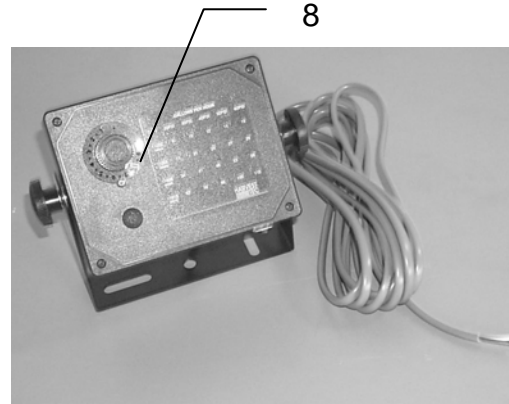
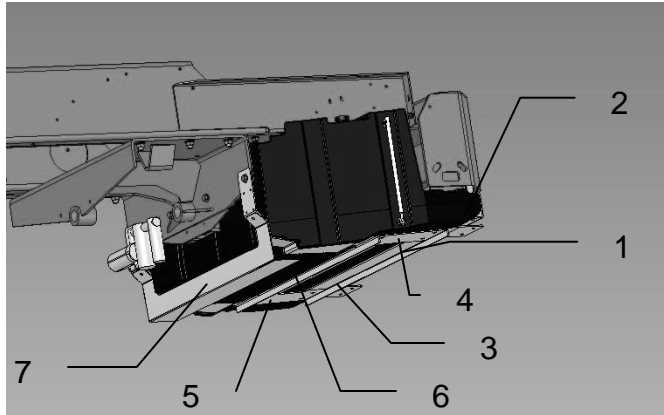
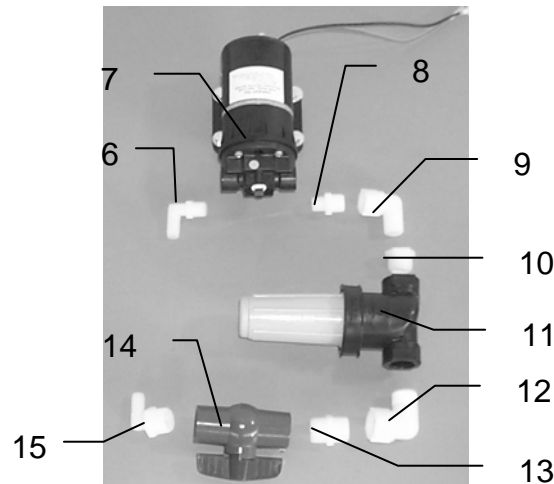
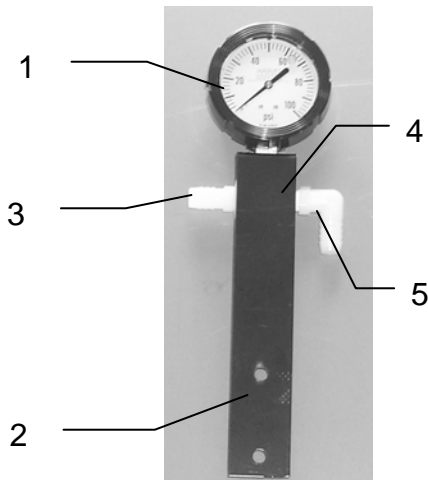


MODEL 676 BASE KIT, CONTROL, GAUGE, & PUMP



<u>Ref</u>	<u>Description</u>	<u>Part #</u>	<u>Qty</u>	<u>Ref</u>	<u>Description</u>	<u>Part #</u>	<u>Qty</u>
1	Tank	005-9209	1	8	Control box**	030-0457	1
2	Left hanger extension	001-6708L	1	NP	Tank cap – 4"	005-9209C	1
3	Right hanger extension	001-6708R	1	NP	Tank ring – 4"	005-9209R	1
4	Left tank hanger	001-6709L	1	NP	Tank gasket – 4"	005-9209G	1
5	Right tank hanger	001-6709R	1	NP	Tank fitting 3/4"	005-9100	1
6	Cross brace	001-6709X	1	NP	Tank fitting 3/8"	005-9101	2
7	Stalk protector	001-6709S	1	NP	Elbow	004-EL3812	2
				NP	Tank breather	005-9022B3	1
				NP	Not pictured		

****See page 31 for control box parts breakdown**



<u>Ref</u>	<u>Description</u>	<u>Part #</u>	<u>Qty</u>	<u>Ref</u>	<u>Description</u>	<u>Part #</u>	<u>Qty</u>
1	Gauge	002-2207Z	1	9	Street elbow	003-SE12	1
2	Gauge bracket	001-6704	1	10	Reducing bushing	003-RB3412	1
3	Straight fitting	003-A1412	1	11	Filter bowl assembly	002-4318	1
4	Tee	003-TT14	1	12	Street elbow	003-SE34	1
5	Elbow fitting	003-EL1412	1	13	Nipple fitting	003-M3434	1
6	Elbow fitting	003-EL3812	3	14	Ball valve	002-2200	1
7	Pump	007-4120S	1	15	Elbow fitting	003-EL3412	1
8	Nipple fitting	003-M1238	1	NP	Straight fitting	003-A3812	1
				NP	Not pictured		