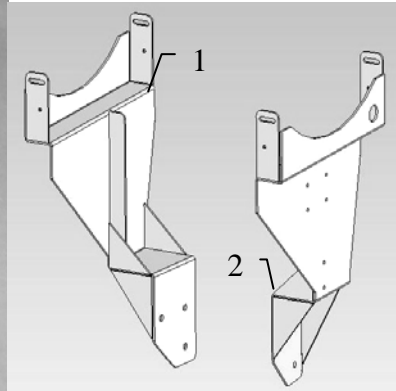
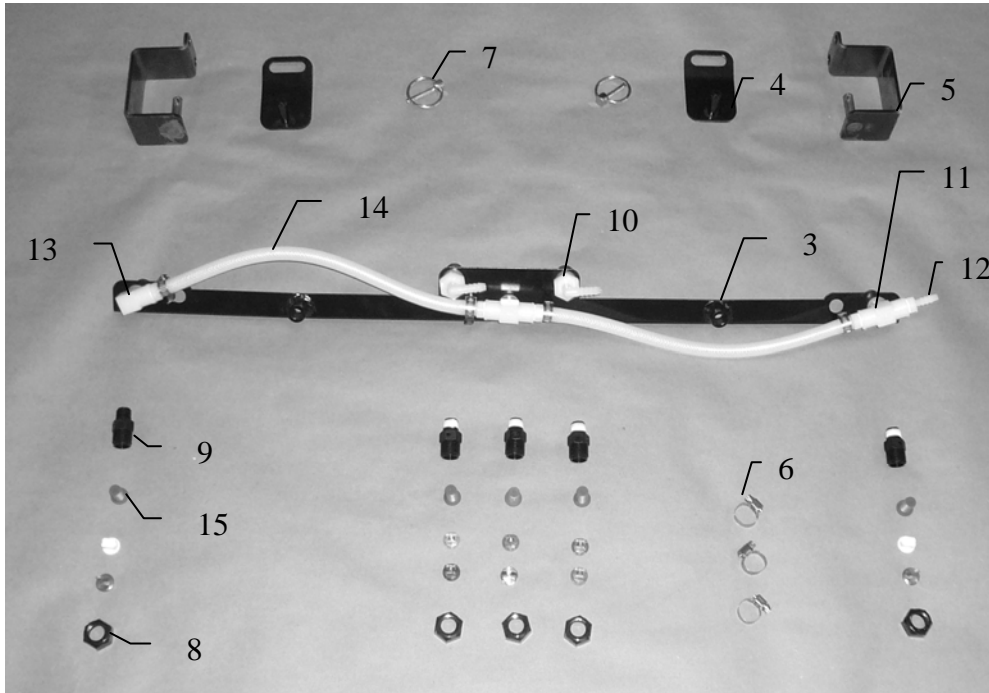


AGCO 5446 – 5556, 2646 – 2766, CHALLENGER RB 46, 56, 453, 463, 563, HESSTON 800 & 900 SERIES, MASSEY FERGUSON 2646 – 2766 ROUND BALERS, AUTOMATIC CONTROL



<u>Ref</u>	<u>Description</u>	<u>Part#</u>	<u>Qty</u>	<u>Description</u>	<u>Part#</u>	<u>Qty</u>
1	Left leg	001-4703L	1	Tip	004-650033-SS	3
2	Right leg	001-4703K	1	Tip	004-XR110015VS	1
3	Spray shield	001-4703GR	1	Tip	004-XR11004VS	1
4	Shield Holder	001-4703JB	2	Tip	004-650050-PT	2
5	Shield Holder	001-4703JC	2	Tip	004-XR11001VS	1
6	Hose clamp	003-9002	7	Tip	004-XR11003VS	1
7	Lynch pin	008-4576	2	Tip	004-XR11006VS	1
8	Nozzle Cap	004-4723	5			
9	Nozzle body	004-4722	5			
10	Elbow	003-EL1414F	2			
11	Tee	003-TT14SQ	2			
12	Straight fitting	003-A1414	5			
13	Elbow	003-SE14F	1			
14	Hose	002-9016	2			
15	Tip strainer	004-4213-200	5			